

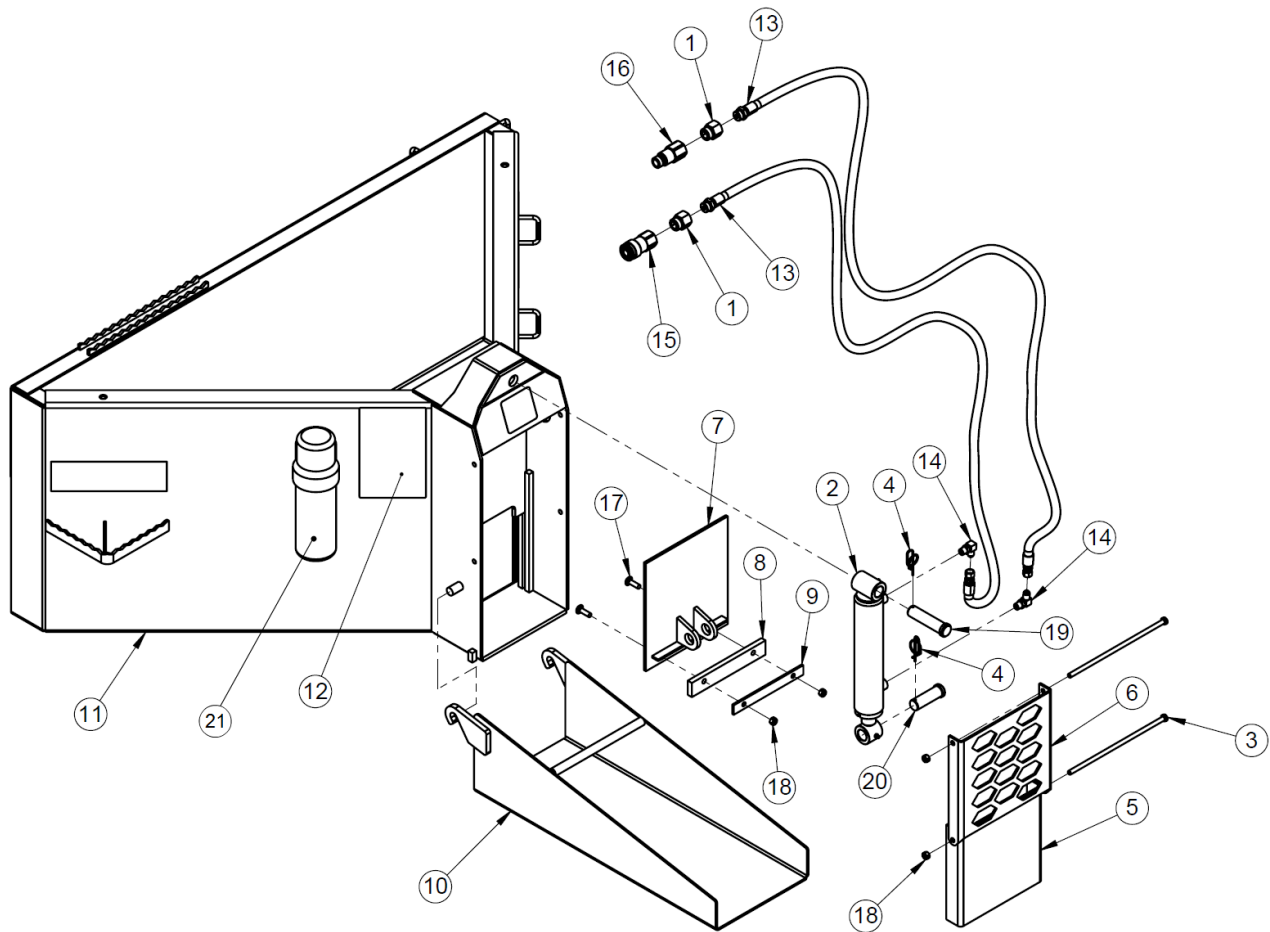
Concrete Chuter

Concrete Chuter

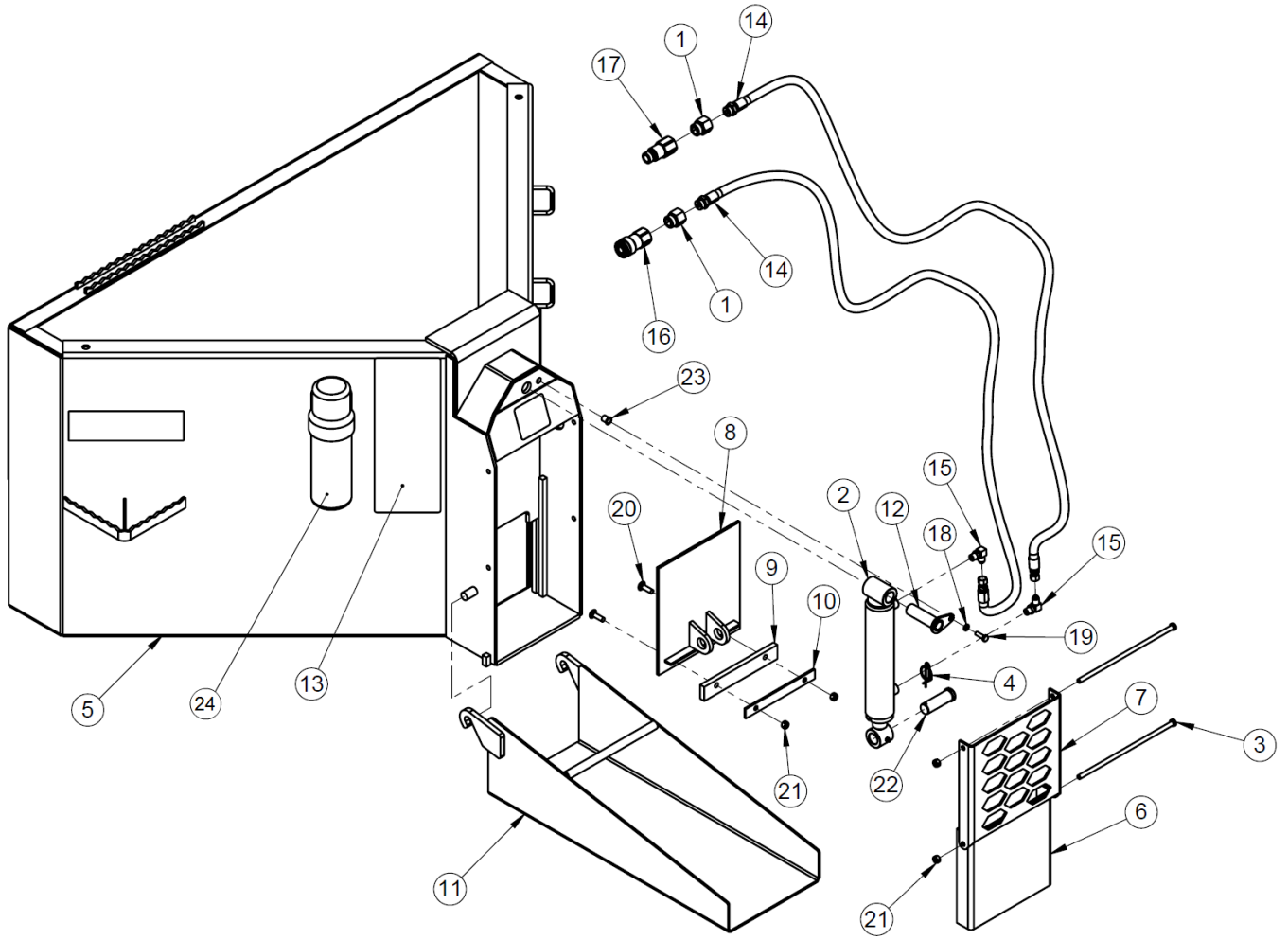
.50 Concrete Chuter	1
.75 Concrete Chuter	3

Replacement Decals

Concrete Chuter Verbiage Decals	5
---------------------------------------	---

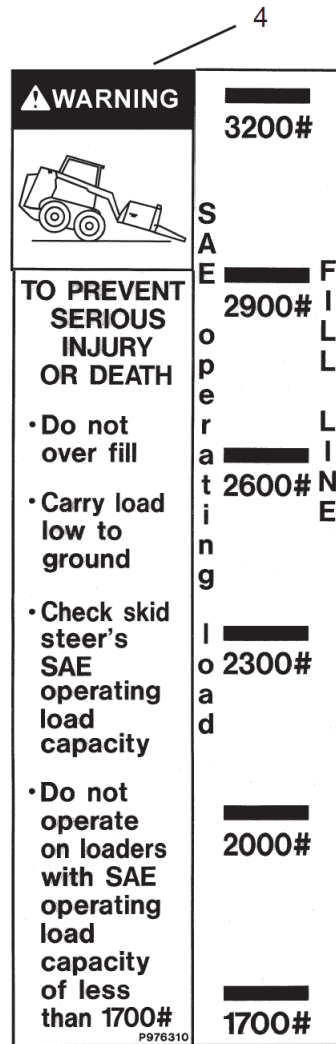
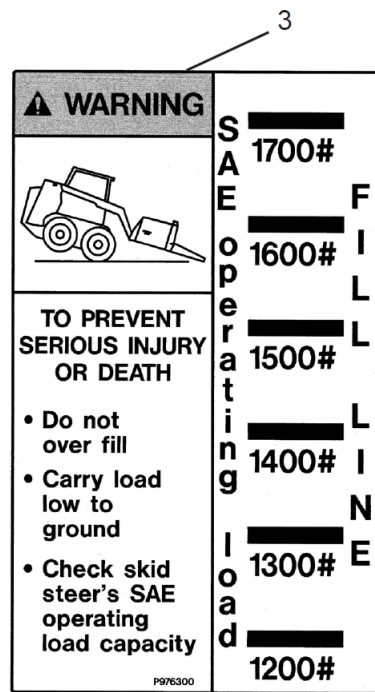
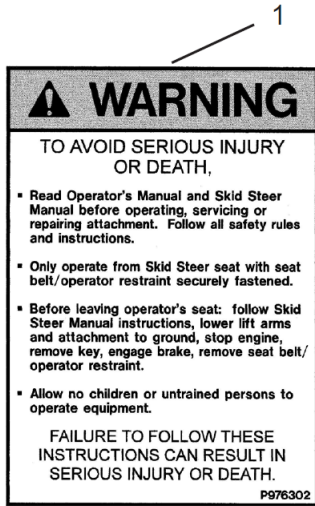


Item	Qty	Part No.	Name	Additional Info
1	2	03-4618	Fitting 12FBo-12MBo	
2	1	03-5728	Cylinder Assembly	
2		45136	Replacement Seal Kit	
3	2	07-10165	.38" UNC X 11.75" Hex Capscrew	
4	2	07-10166	Cotter Ring	
5	1	13-52640	Swing Gate	
6	1	13-52641	Front Cover	
7	1	13-52642	Slide Gate	
8	1	13-52646	Gate Seal	
9	1	13-52647	Seal Strap	
10	1	13-52648	Chute	
11	1	13-52652-0022	Bucket Carrier	
12	1	28-10616	Label Assembly	RFQ - Please Call for Price Quote
13	2	LAF4354-0000	Hose, .38 x 116, 6FJ-10MB	
14	2	P261350	90° Elbow 6MJ-6MBo	
15	1	P272670	Female Quick Coupler -12FBo	
16	1	P272671	Male Quick Coupler -12FBo	
17	2	RHW2207-0000	.38" UNC X 1.25" Carriage Bolt	
18	4	RHW7203-0000	.38" UNC Deformed Lock Nut	
19	1	RHW8216-0000	Clevis Pin 1.00" X 4.00"	
20	1	RHW8222-0000	Clevis Pin 1.00" X 3.00"	
21	1	07-6869	Manual Storage Tube	
Not Shown	2	07-2952	M6-1.00 X 20mm Hex Flange Head Capscrew	



Item	Qty	Part No.	Name	Additional Info
1	2	03-4618	Fitting 12FBo-12MBo	
2	1	03-5728	Cylinder Assembly	
2		45136	Replacement Seal Kit	
3	2	07-10165	.38" UNC X 11.75" Hex Capscrew	
4	1	07-10166	Cotter Ring	
5	1	13-52621-0022	Bucket Carrier	
6	1	13-52640	Swing Gate	
7	1	13-52641	Front Cover	
8	1	13-52642	Slide Gate	
9	1	13-52646	Gate Seal	
10	1	13-52647	Seal Strap	
11	1	13-52648	Chute	
12	1	13-52750	Cylinder Pin	
13	1	28-10617	Label Assembly	RFQ - Please Call for Price Quote
14	2	LAF4354-0000	Hose, .38 x 116, 6FJ-10MB	
15	2	P261350	90° Elbow 6MJ-6MBo	
16	1	P272670	Female Quick Coupler -12FBo	
17	1	P272671	Male Quick Coupler -12FBo	
18	1	P851105	.31" Lock Washer	
19	1	RHW1105-0000	.31" UNC X 1.00" Hex Capscrew	
20	2	RHW2207-0000	.38" UNC X 1.25" Carriage Bolt	
21	4	RHW7203-0000	.38" UNC Deformed Lock Nut	
22	1	RHW8222-0000	Clevis Pin 1.00" X 3.00"	
23	1	RHW8642-0000	.31" UNC Rivet Nut	
24	1	07-6869	Manual Storage Tube	
Not Shown	2	07-2952	M6-1.00 X 20mm Hex Flange Head Capscrew	

Replacement Decals



Item	Qty	Part No.	Name	Additional Info
1		P976302	Warning! Read Manual	
2		P976301	Warning! Keep Guards In Place	
3		P976300	Warning! Operating Load	
4		P976310	Warning! Operating Load	
5		VARIES	Contact your local dealer to purchase model number and logo decals	

Comments for Page: Concrete Chuter Verbiage Decals

IMPORTANT: See Operator's manual for decal placement and definition.

Comments for Chapter: Replacement Decals

IMPORTANT: See Operator's manual for decal placement and definition.